

Portable Dryer

The **Comac Portable Dryer** is the most widely accepted small dryer in the industry with over 1000 units sold. The Machine can be used by one unskilled operator. Drying is provided by four high pressure Bypass Blowers supplying 360 CU/FPM of compression heated air thru stainless Air Knives.

The conveyor system is designed to allow easy roller removal for cleaning and maintenance. Comac maintains most spare parts in stock for immediate shipment should they be needed. The standard unit accommodates panels from 24" down to 2" and thickness from .006" to .20".



COMPACT DEPENDABLE DESIGN

The Comac Dryer has been designed for high production quantities in a portable package. The dryer is efficient for all size shops with drying applications. Your Comac Dryer will stand alone or fit in line with existing equipment.

Options include conveyors 26" thru 32" wide and flex modifications for fragile material down to .001 thick. A catch tray is available to receive the panels as they exit the conveyor. We will also customize the machine to your needs.



COMAC PORTABLE DRYER FEATURES INCLUDE:

- Corrosion Free Molded Fiberglass Body
- Marine grade stainless hardware
- Four stainless air knives
- EPDM feed rollers resist chemicals, temperature and tearing
- 2" to 24" wide panels. No length restrictions
- Variable speed controlled conveyor
- Four high pressure bypass blowers supply 360CU FPM of air, compression heated to 45° above outside temperature
- 110V 33 Amp or 220V 1Ø 19 Amp 50/60 HZ
- Reversible feed conveyor
- 90 day warranty

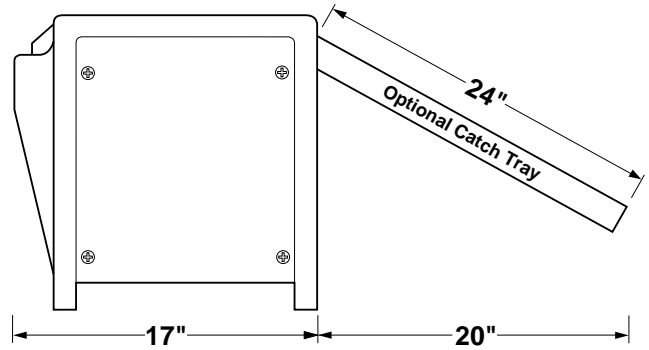
COMAC PORTABLE DRYER HAS THE FOLLOWING OPTIONS:

- Catch tray
- 26" Thru 32" wide conveyors
- Flex modifications for material down to .001" Thick
- Resettable board counter
- Infeed or outfeed conveyor

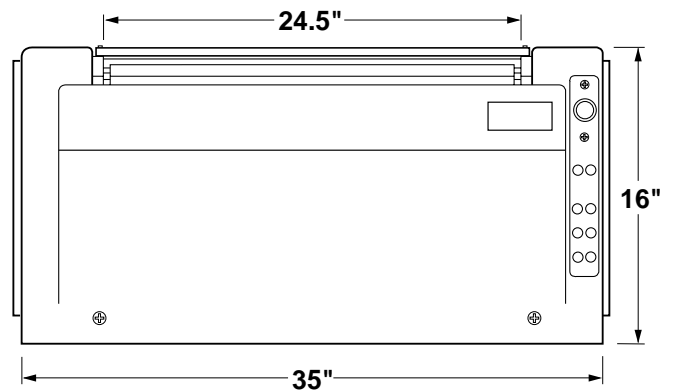
DISTRIBUTED BY:



MECHANICAL SPECIFICATIONS



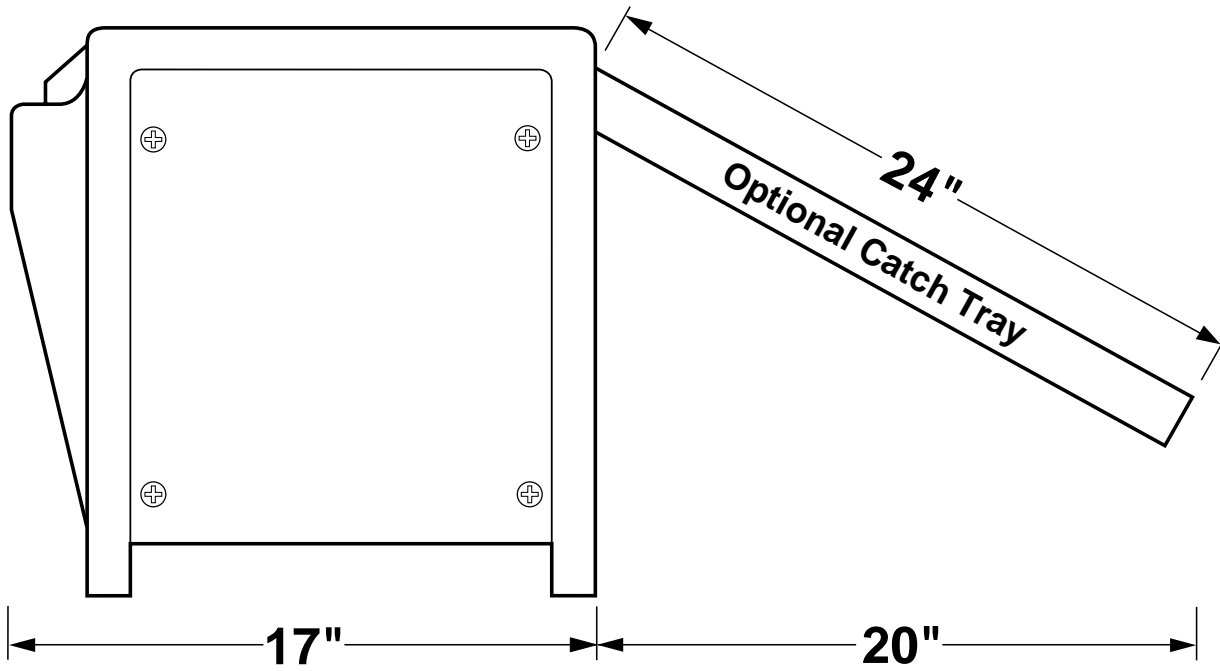
SIDE VIEW



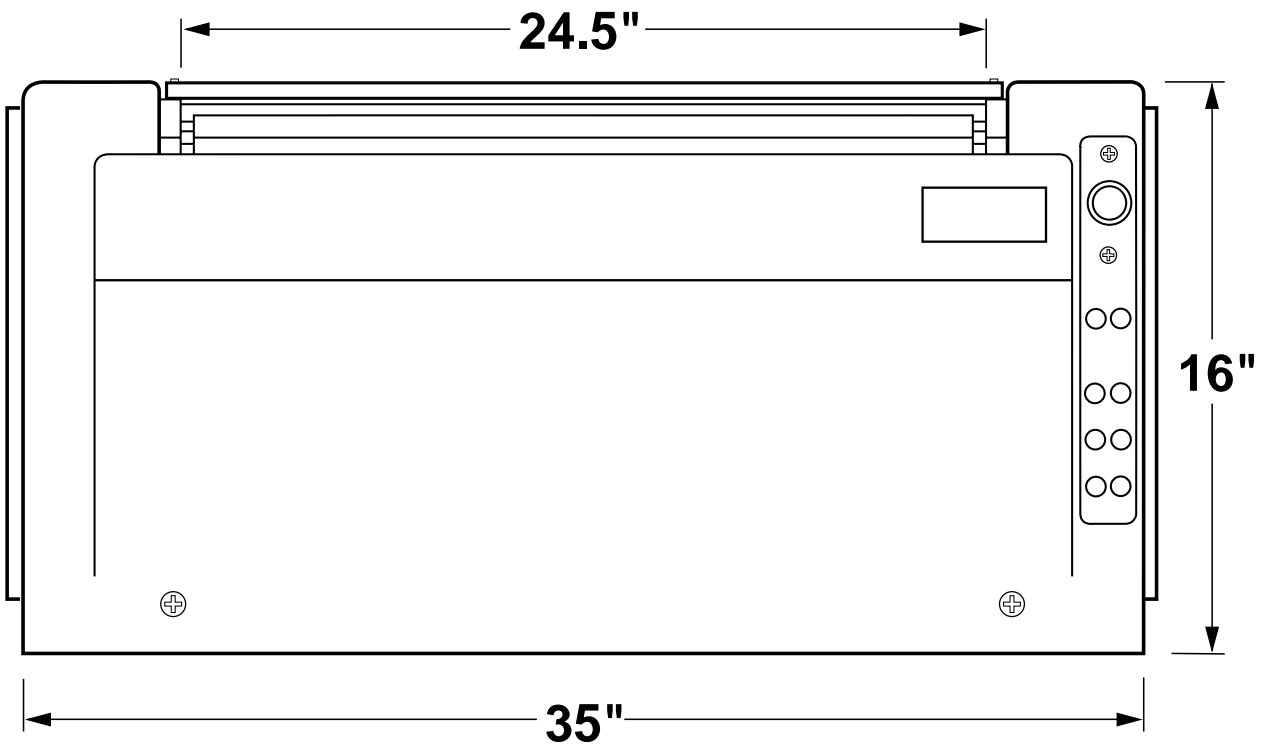
FRONT VIEW

Comac engineering designs feature a complete line of PCB cleaning and drying equipment.:

- **TIP SCRUBBER**
- **TURBINE PORTABLE DRYER**
- **FLOOR MODEL DRYER**
- **FLOOR MODEL RINSER/DRYER**
- **PORTABLE RINSER/DRYER**
- **PORTABLE SCRINSER**
- **POST CLEAN SYSTEMS**



SIDE VIEW



FRONT VIEW

Portable Dryer

