

# Double Tank Post Clean System

The **Comac Double Tank Post Clean System** is our finest washer and dryer. The machine will provide excellent cleaning in any application including flux removal after hot air leveling, oil leveling or reflow. Other uses are cleaning after wet processes, drilling, routing or final.

The unit features two recirculating tanks, high pressure rinses and four soft nylon brushes for excellent surface cleaning. The whole machine body, tanks and all are one piece of molded corrosion free fiberglass. The machine has a powder coated frame and other components of the unit are corrosion resistant PVC, polypropylene and stainless steel. The conveyor system was designed to allow easy removal for cleaning or maintenance. The standard machine will accommodate boards from 24" to 4" and thickness from .006" to .2".

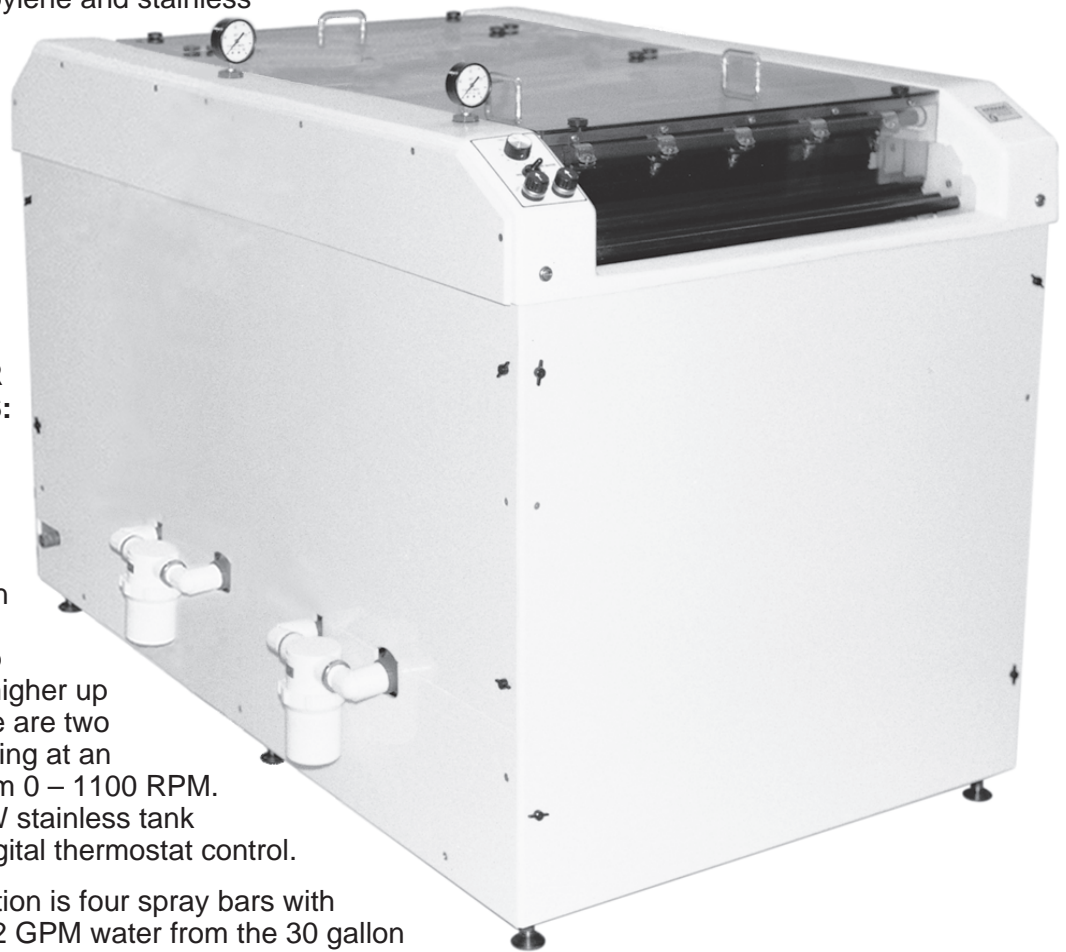
## THE PCSD HAS FOUR MAJOR OPERATIONS:

The first chamber contains six spray bars with 42 nozzles supplying 10 GPM water from the 30 gallon recirculating tank. There is a 20 PSI pump (excellent for soap) or higher up to 100 PSI pump. There are two soft nylon brushes running at an adjustable speed of from 0 – 1100 RPM. There is an option 3 KW stainless tank heater available with digital thermostat control.

The second operation is four spray bars with 28 nozzles supplying 12 GPM water from the 30 gallon recirculating tank thru a 1 HP booster pump at 130 PSI. There are two soft nylon brushes operating at adjustable speeds of 0 – 1100 RPM.

The third operation is four spray bars with 28 nozzles supplying fresh tap water thru an electric solenoid water valve. The fresh water cascades to the second tank to maintain freshness and to the first tank if required.

The last operation is a 5 HP high pressure turbine dryer supplying compression heated and filtered air at 40 degrees above outside temperature through six stainless air knives for drying even thick boards with small holes.



## COMAC DOUBLE TANK POST CLEAN SYSTEM FEATURES INCLUDE:

- Corrosion free construction of molded fiberglass and polypropylene
- Marine grade stainless hardware and roller rods
- 3/4" diameter EDPM feed rollers resist chemicals, temperature and wear
- Electric solenoid water valve on fresh water
- Separate pressure gauges on pumps
- High pressure pumps are adjustable from 40 to 130 PSI
- Four soft nonabrasive nylon brushes operating at 0 – 1100 RPM for excellent cleaning
- 1/8 HP 90V DC conveyor motor with speed control
- 25" wide conveyor will accept boards .006" to .2" thick and small boards down to 4" by 4".
- 5 HP high pressure turbine blower provide compression heated air at 40 degrees above outside temperature through six 1-1/2" stainless air knives.
- 220V 3Ø 34A or 440V 3Ø 17A 50/60 HZ
- 180 day warranty

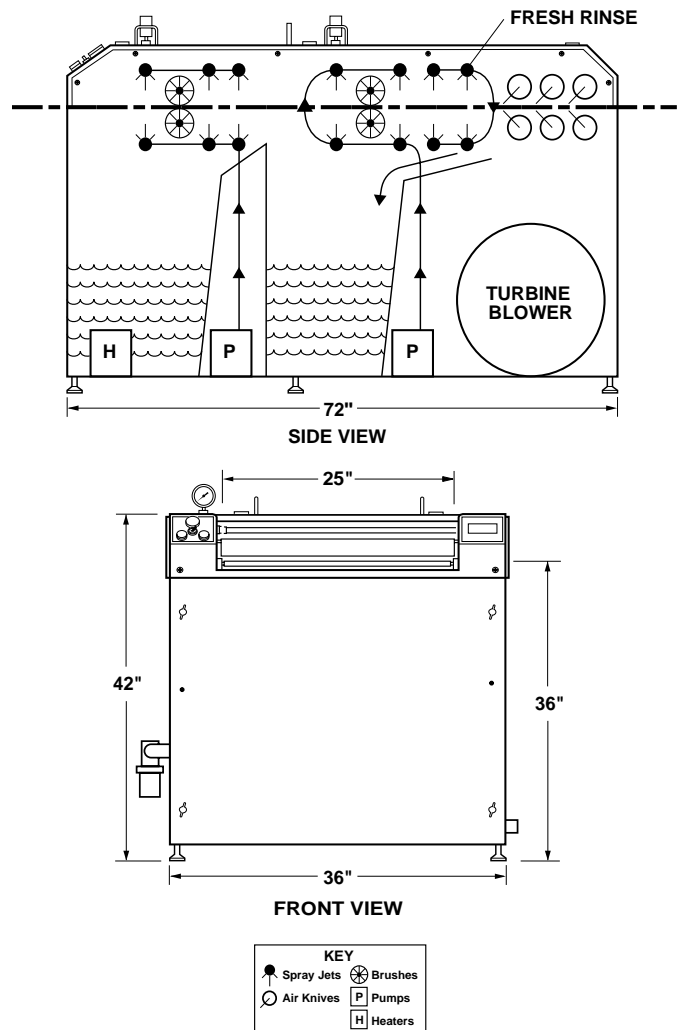
## COMAC DOUBLE TANK POST CLEAN SYSTEM HAS THE FOLLOWING OPTIONS:

- Catch tray
- 3 KW air heater with digital thermostat
- Flex option for rinsing material under .006" thick (Comes without brushes)
- 30" wide conveyor
- Special conveyors for small boards down to 2" (No brushes)
- Fresh water turn on/turn off sensor
- Cooling infeed conveyor
- 3 KW stainless water heater with digital thermostat
- 3 HP booster pump for 180 PSI rinse
- 10 HP cat plunger pump for 650 PSI rinse
- Infeed and outfeed conveyors to 24"
- Larger turbines for drying speeds to 10 FPM

DISTRIBUTED BY:



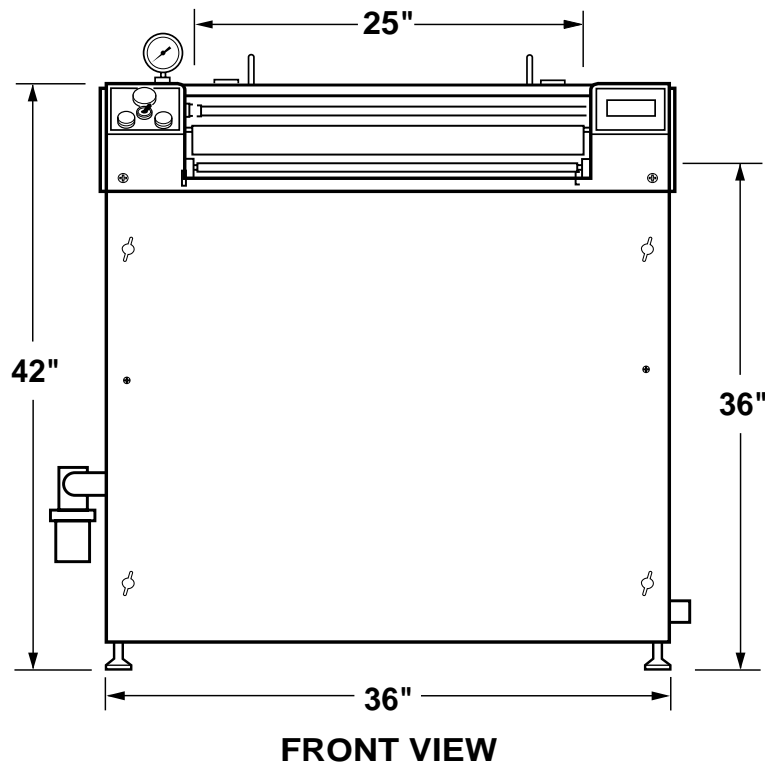
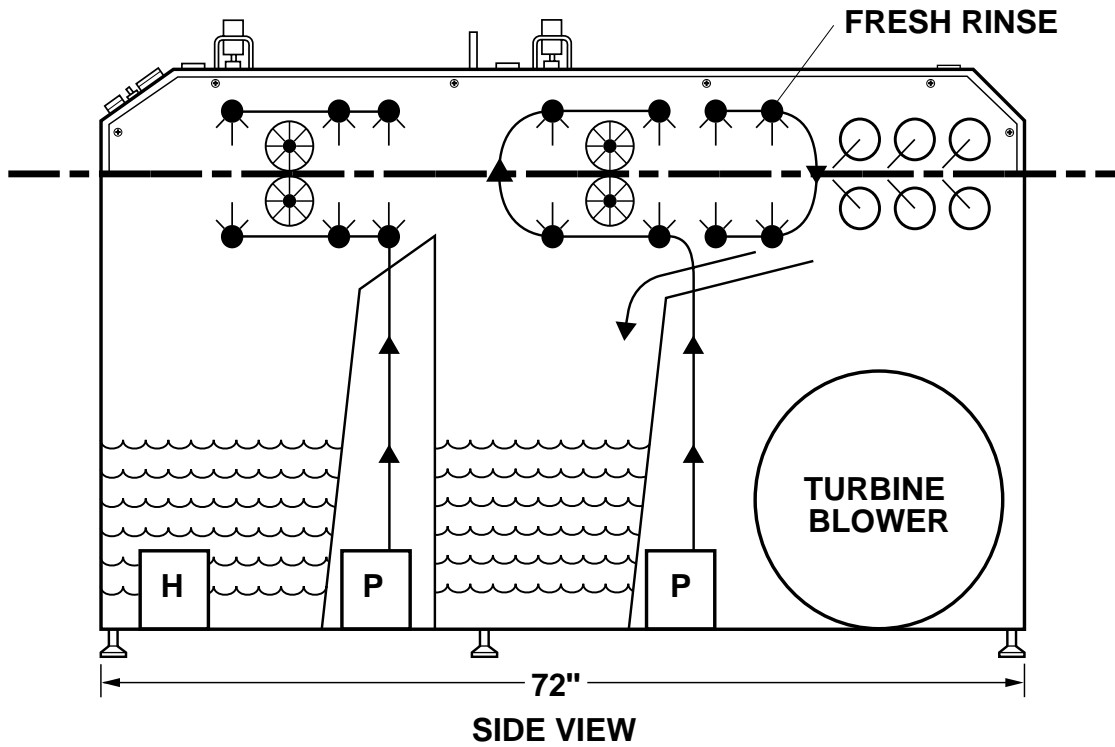
## MECHANICAL SPECIFICATIONS







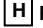
Shipping Weight – 900 Lbs.

*Comac engineering designs feature a complete line of PCB cleaning and drying equipment.:*

- **TIP SCRUBBER**
- **PORTABLE DRYER**
- **TURBINE PORTABLE DRYER**
- **FLOOR MODEL DRYER**
- **FLOOR MODEL RINSER/DRYER**
- **PORTABLE SCRINSER**
- **PORTABLE RINSER/DRYER**



**Double Tank Post Clean System  
Cleaning and Drying  
Machine**

KEY	
	Spray Jets
	Brushes
	Air Knives
	Pumps
	Heaters

